

Silicon PNP Power Transistors

2SA738

DESCRIPTION

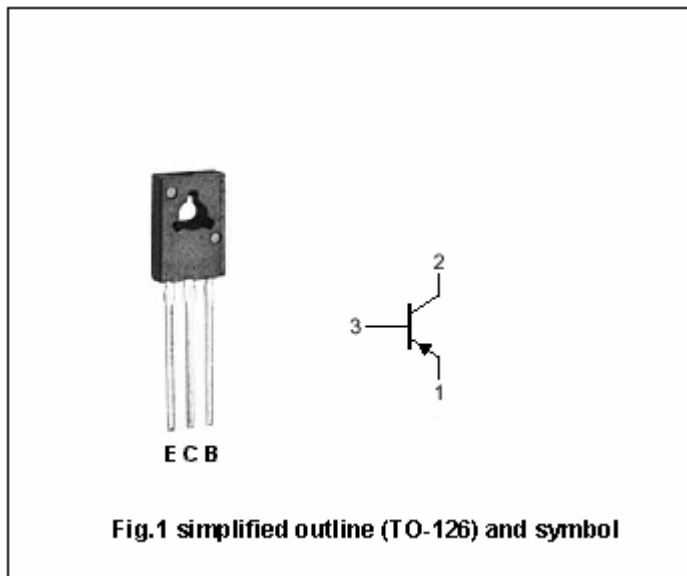
- With TO-126 package
- High current
- Complement to type 2SC1368

APPLICATIONS

- Driver stages in high-fidelity amplifiers and television circuits

PINNING

PIN	DESCRIPTION
1	Emitter
2	Collector;connected to mounting base
3	Base



Absolute maximum ratings (Ta=25°C)

SYMBOL	PARAMETER	CONDITIONS	VALUE	UNIT
V <sub>CBO</sub>	Collector-base voltage	Open emitter	-25	V
V <sub>CEO</sub>	Collector-emitter voltage	Open base	-25	V
V <sub>EBO</sub>	Emitter -base voltage	Open collector	-5	V
I <sub>C</sub>	Collector current		-1.5	A
I <sub>CM</sub>	Collector current-Peak		-2.0	A
P <sub>t</sub>	Total power dissipation	T <sub>C</sub> =25°C	8	W
T <sub>j</sub>	Junction temperature		150	°C
T <sub>stg</sub>	Storage temperature		-65~150	°C

## Silicon PNP Power Transistors

2SA738

## CHARACTERISTICS

T<sub>j</sub>=25 °C unless otherwise specified

SYMBOL	PARAMETER	CONDITIONS	MIN	TYP.	MAX	UNIT
V <sub>(BR)CEO</sub>	Collector-emitter breakdown voltage	I <sub>C</sub> =-10mA; I <sub>B</sub> =0	-25			V
V <sub>CEsat</sub>	Collector-emitter saturation voltage	I <sub>C</sub> =-0.5A; I <sub>B</sub> =-50mA			-0.5	V
V <sub>BE</sub>	Base-emitter voltage	I <sub>C</sub> =-500mA ; V <sub>CE</sub> =-2V			-1.0	V
I <sub>CBO</sub>	Collector cut-off current	V <sub>CB</sub> =-25V; I <sub>E</sub> =0			-1.0	μA
I <sub>EBO</sub>	Emitter cut-off current	V <sub>EB</sub> =-5V; I <sub>C</sub> =0			-1.0	μA
h <sub>FE-1</sub>	DC current gain	I <sub>C</sub> =-150mA ; V <sub>CE</sub> =-2V	35		320	
h <sub>FE-2</sub>	DC current gain	I <sub>C</sub> =-500mA ; V <sub>CE</sub> =-2V	25			
f <sub>T</sub>	Transition frequency	I <sub>C</sub> =-50mA; V <sub>CE</sub> =-5V		160		MHz

Silicon PNP Power Transistors

2SA738

PACKAGE OUTLINE

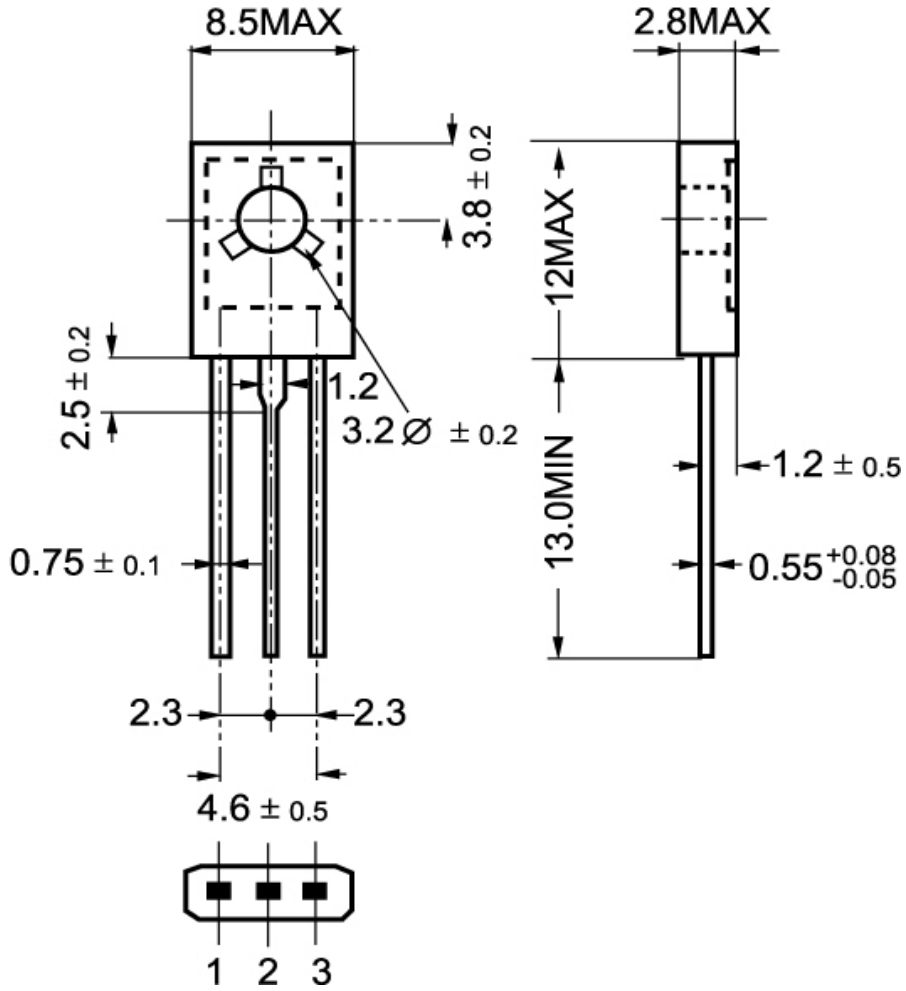


Fig.2 Outline dimensions